

TIE ROD SCHEDULE

PIPE DIAM.	QUAN.	SIZE
4"	2	5/8"
6"	2	3/4"
8"	2	3/4"
12"	4	3/4"
16"	4	7/8"
20"	4	1"
24"	4	1 1/4"
30"	4	1 1/2"

COLLAR DIMENSIONS

SIZE LINE	MIN. W	MIN. D	PLATE DIAM.
4"	6"	L+8"	L+2"
6"	9"	L+9"	L+3"
8"	12"	L+9"	L+3"
12"	18"	L+9"	L+3"
16"	18"	L+9"	L+3"
20"	20"	L+9"	L+3"
24"	24"	L+10"	L+4"
30"	24"	L+11"	L+5"

* CONTRACTOR VERIFY DISTANCE W/ COLLAR SUPPLIERS.

THRUST COLLAR
NTS

DETROIT DIESEL Model: 20GS
Gas/ Gasoline
190-600 V

Standard Features

- Full 2000 RPM torque converter...
- 2000 RPM torque converter...
- 2000 RPM torque converter...

Ratings Range

Standby:	60 Hz	60 Hz
kVA	18-24	14-21
kW	14-18	10-14
Prime:	16-22	12-16

Generator Set Ratings

Alternator	Voltage	Ph	Standby	Prime	Standby	Prime
120/208	2	60	25.00	18.25	18.25	18.25
120/208	3	60	25.00	18.25	18.25	18.25

City Requirements for Sewage Lift Sites

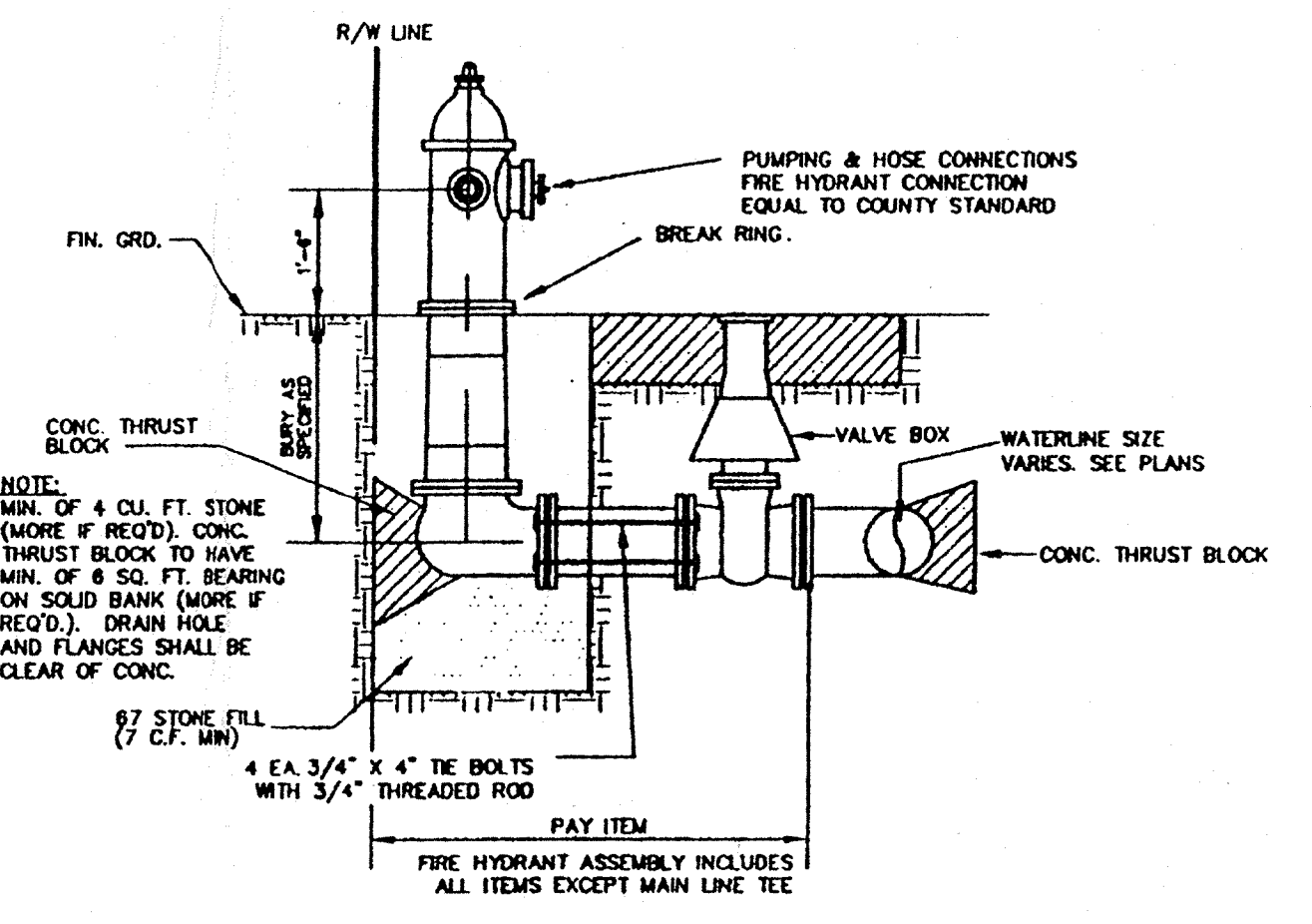
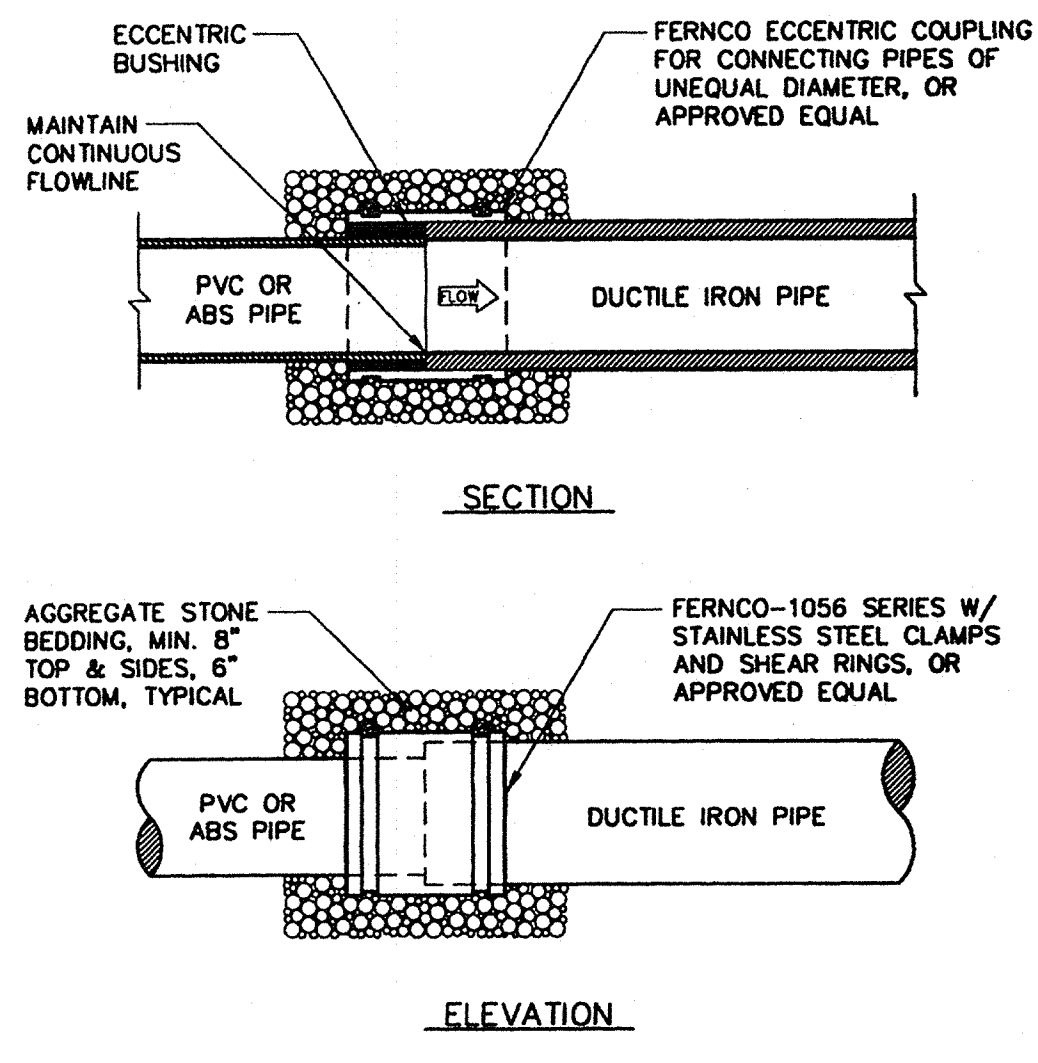
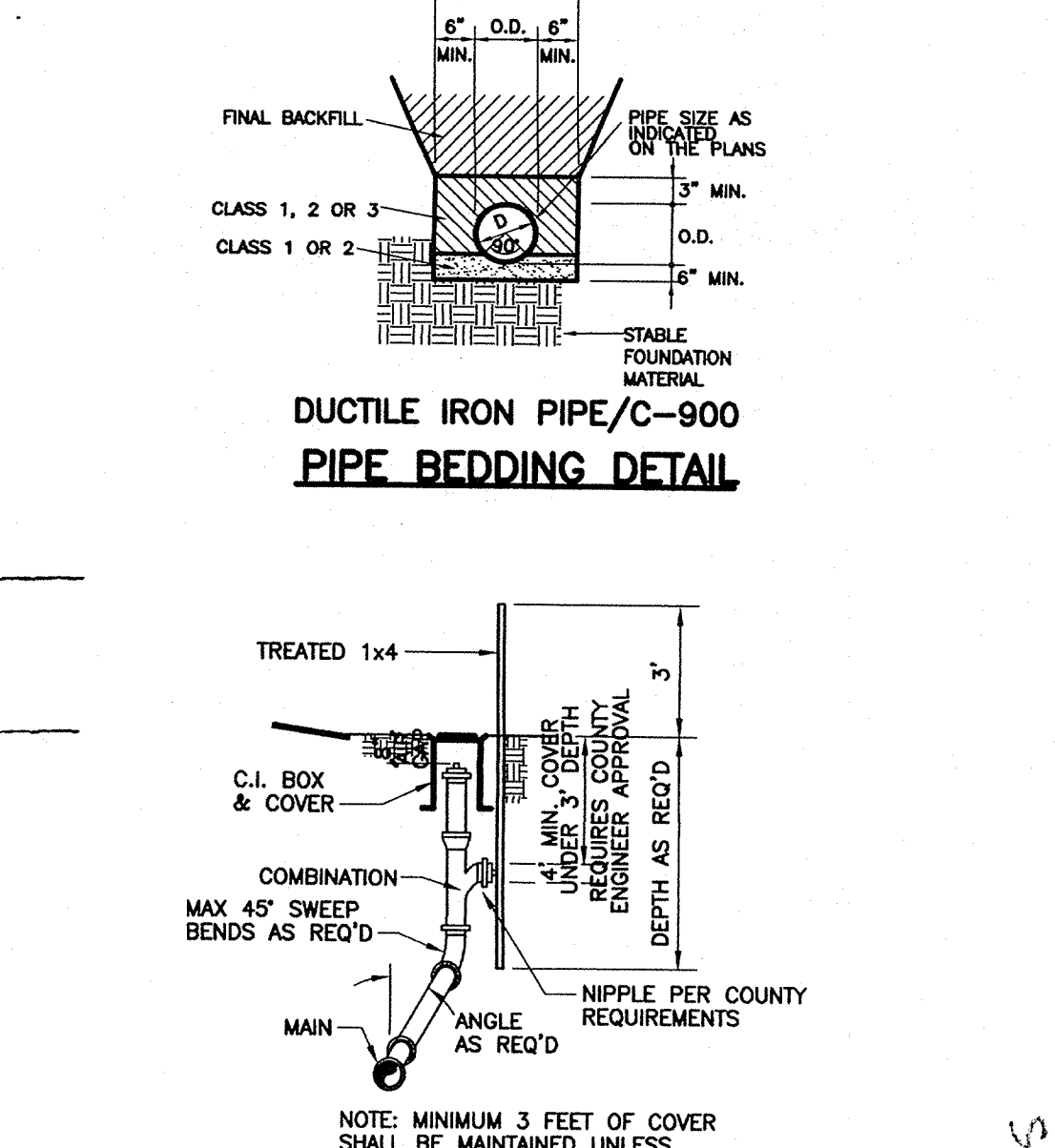
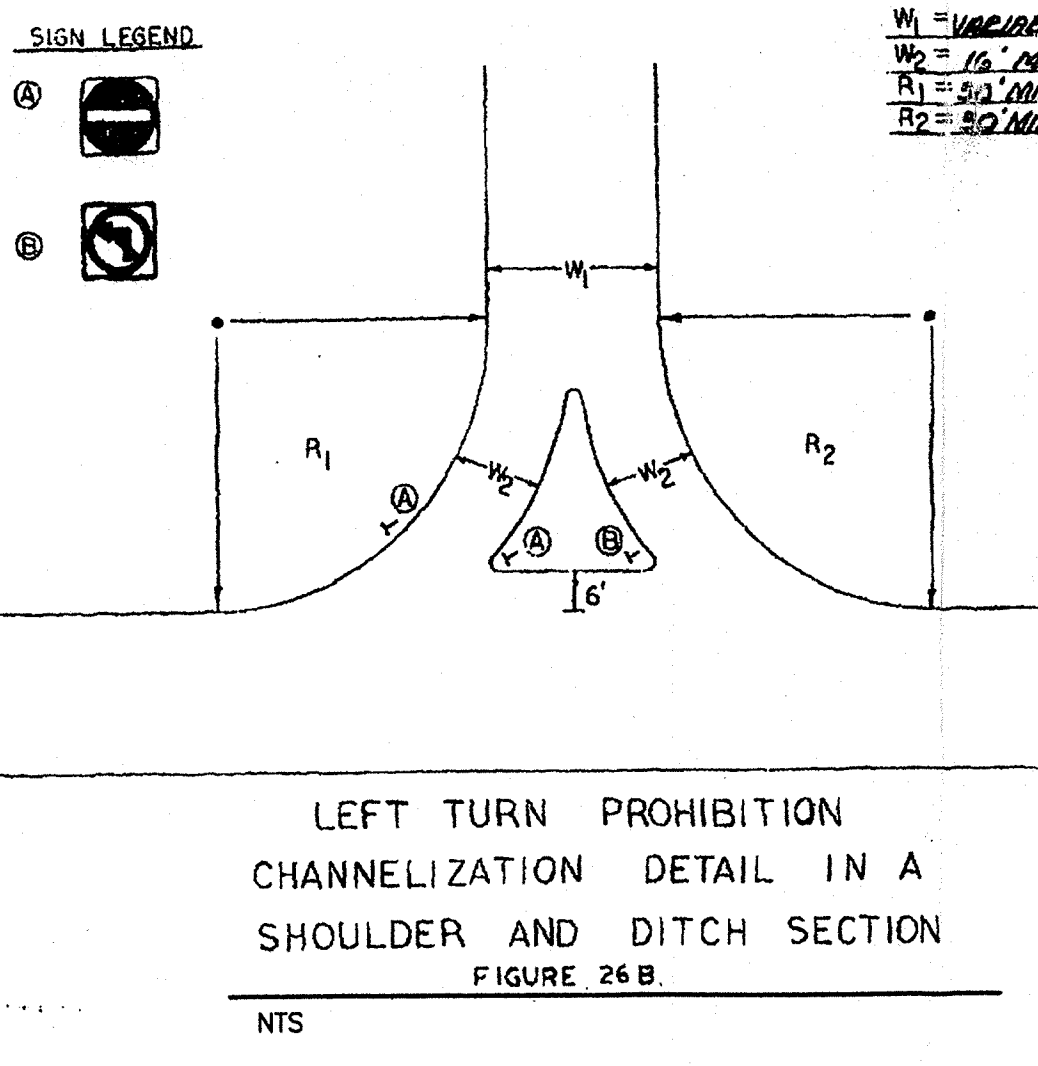
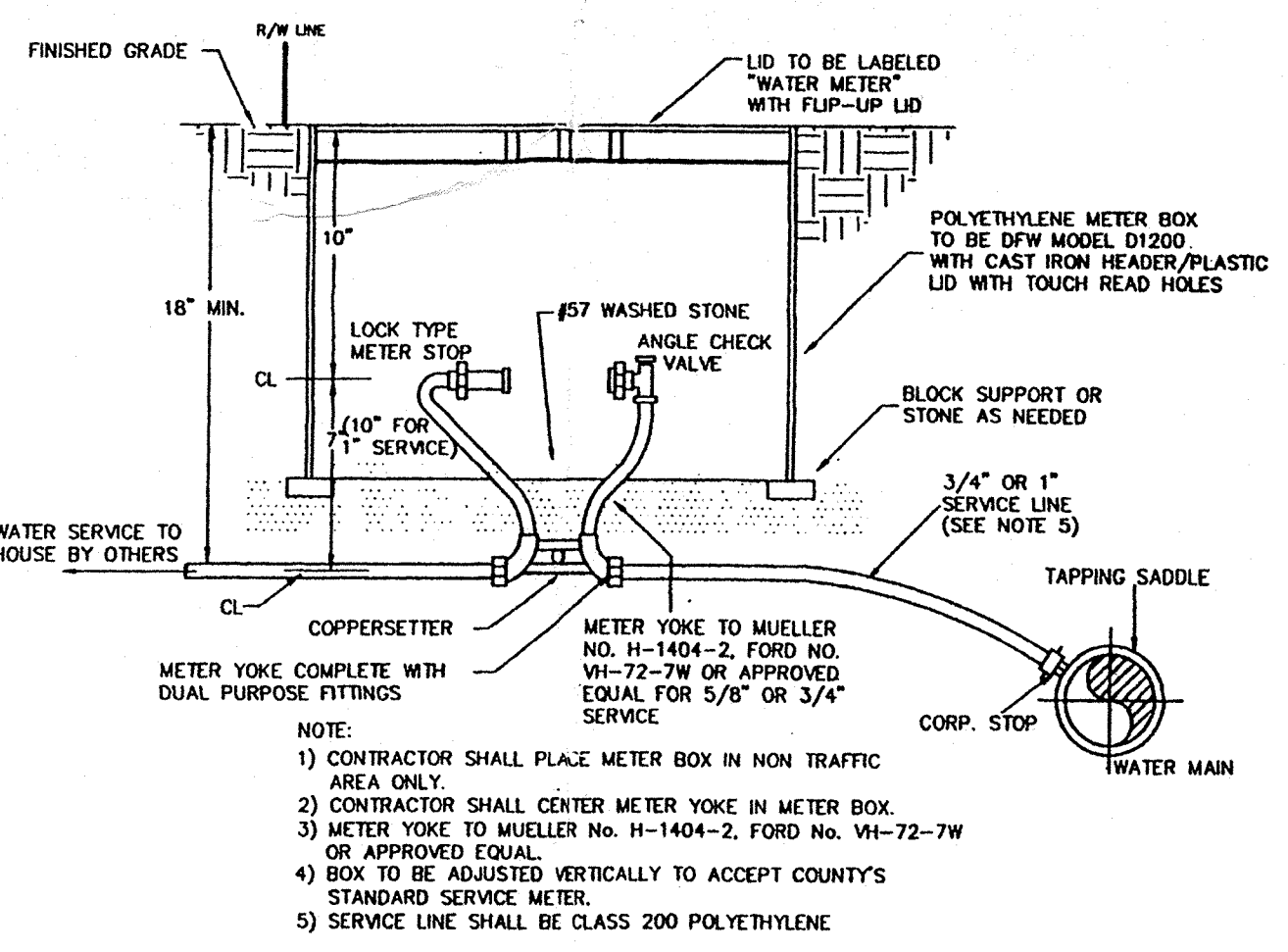
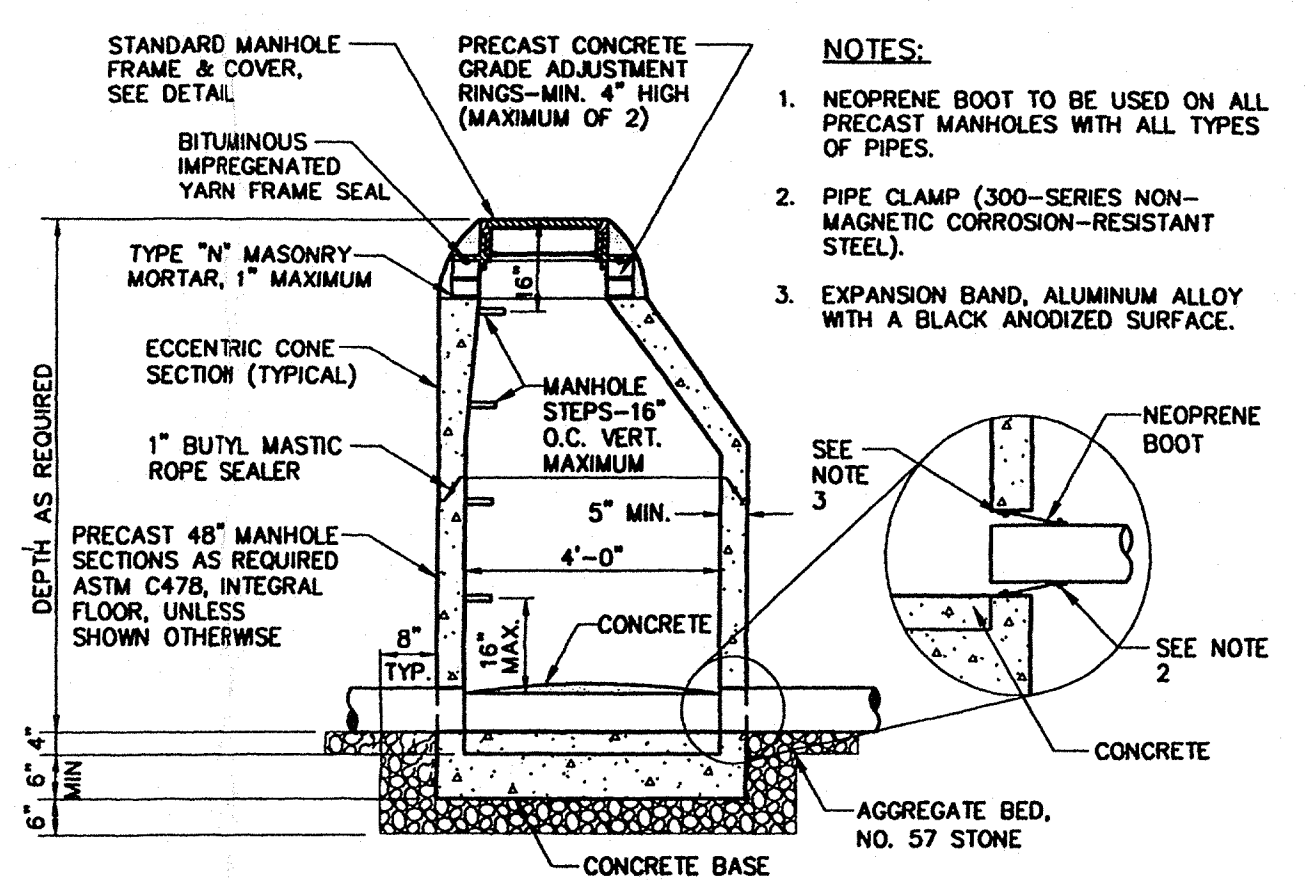
For any sewage station to be built by a developer and dedicated to the City, we will require the following:

- Pumps Fairbanks
- Myers
- Hydromatic

All lift stations are to have a backup generator and automatic transfer switch. We will accept either a Spectrum or Olympian. Engine should be a small block domestic built automobile or truck engine converted for LPG fuel. This will allow us to obtain parts at local parts dealers.

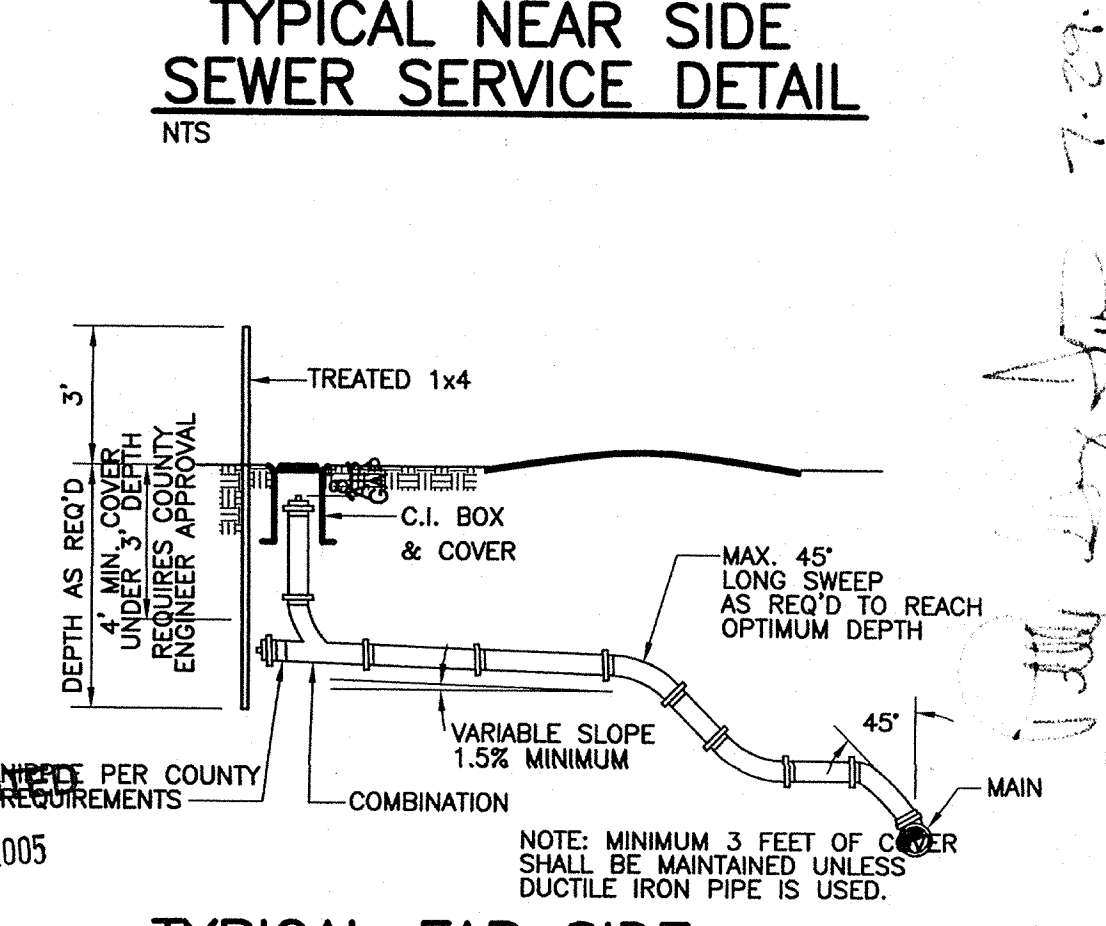
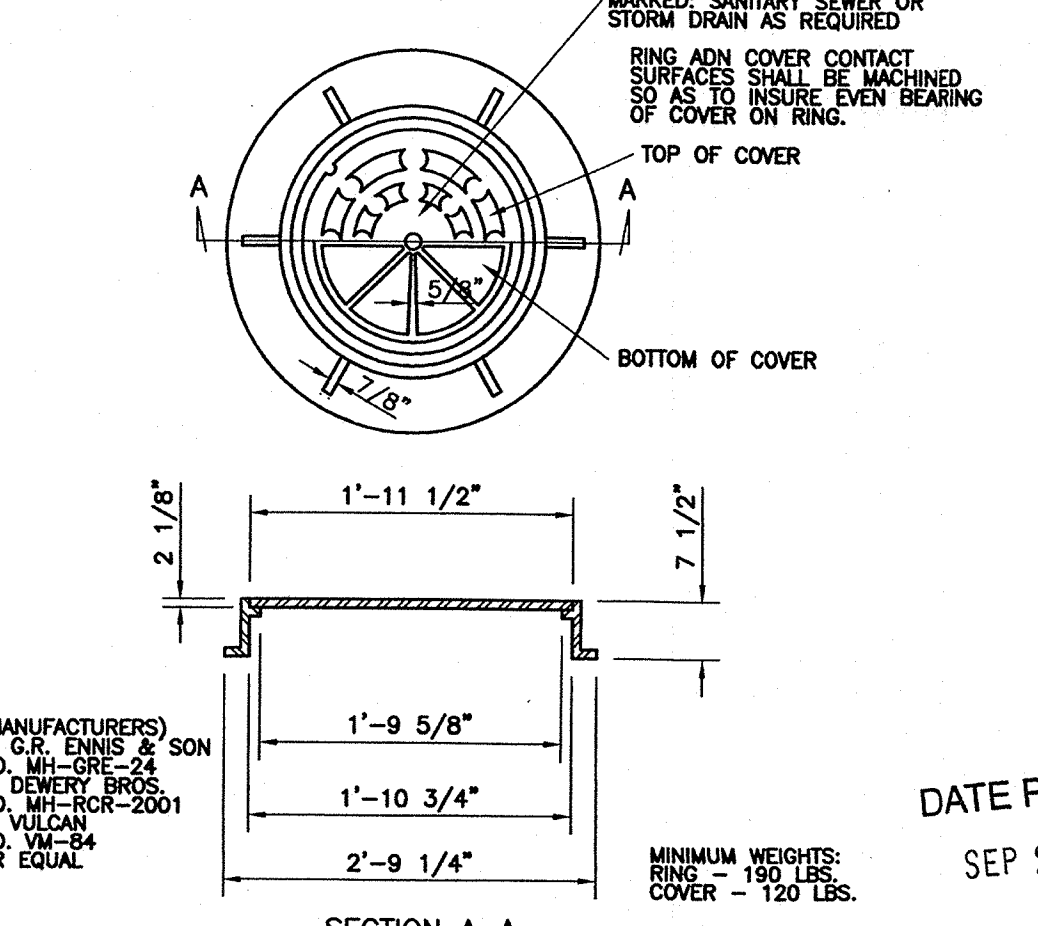
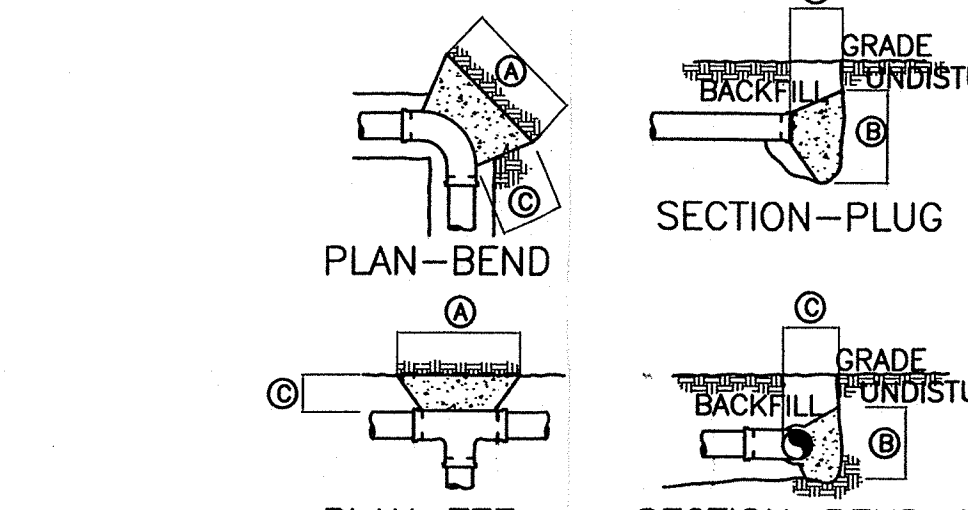
All lift stations will have a remote Scada panel compatible with Dorsett's Inc. Info-Scan 2000 Scada System. David Hutchens at 336-679-2126 ext 216 will be the contact at Dorsett's Inc.

Remote panels MicroScan data panel with a minimum of one 401-a-300-3 Controller I/O surge protection Signal conditioning modules Power Supply



BLOCKING DIMENSIONS

PIPE SIZE	(A)	(B)	(C)
UP TO 10"	4'-0"	2'-6"	1'-6"
12" TO 18"	5'-0"	4'-0"	2'-0"
18" TO 24"	8'-0"	6'-0"	3'-0"



TRIPP ENGINEERING, P.C. DETAILS AND NOTES
419 Chestnut Street
Wilmington, North Carolina 28401
Phone 910-763-5100
Fax 910-763-5631

CADES COVE
SOUTHPORT, NORTH CAROLINA

REVISIONS

No.	Date	Description	By

DATE PRINTED SEP 20 2005
DATE DESIGN 07-29-05
DATE DRAWN PGT JLR

C12
SHEET 12 OF 12
04091